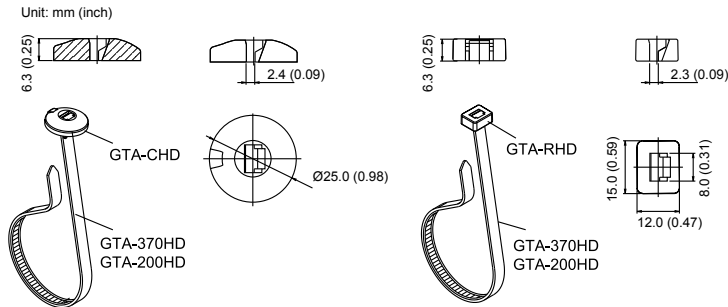


BUTTON HEAD TIES

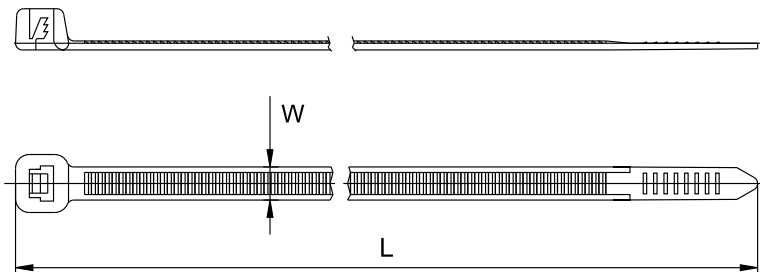
- For indoor use
- Used for normal bundling and through-panel applications
- Small head height allows more efficient use of space in compact areas
- Exclusive two-piece design offers the lowest threading force in the industry
- Releasable prior to final tensioning for bundle modifications
- Material: Polyamide 6,6, UL94V-2
- Color: All colors are available



Part No.	Length (L) mm (inch)	Width (W) mm (inch)	Max.Bundle ø mm (inch)	Min. Loop Tensile Strength		
				N	kgf	lbf
GTA-200CHD	200 (7.87)	7.6 (0.30)	50 (1.97)	641	65.4	144
GTA-200RHD	200 (7.87)	7.6 (0.30)	50 (1.97)	641	65.4	144
GTA-370CHD	370 (14.57)	7.6 (0.30)	101 (3.98)	641	65.4	144
GTA-370RHD	370 (14.57)	7.6 (0.30)	101 (3.98)	641	65.4	144

OUTSIDE SERRATED TIES

- Outside serrated tie's serrated surface on the outside reducing the damage to the surface of the strapped object
- Material: Polyamide 6,6, UL94V-2
- Color: All colors are available



Part No.	Length (L) mm (inch)	Width (W) mm (inch)	Max.Bundle ø mm (inch)	Min. Loop Tensile Strength		
				N	kgf	lbf
GTPG-100M	100 (3.94)	2.5 (0.10)	22 (0.87)	80	8.2	18
GTPG-200ST	200 (7.87)	4.8 (0.19)	50 (1.97)	222	22.6	50
GTPG-300ST	300 (11.81)	4.8 (0.19)	76 (2.99)	222	22.6	50
GTPG-370ST	370 (14.57)	4.8 (0.19)	102 (4.02)	222	22.6	50
GTPG-390HD	390 (15.35)	7.6 (0.30)	110 (4.33)	534	54.5	120