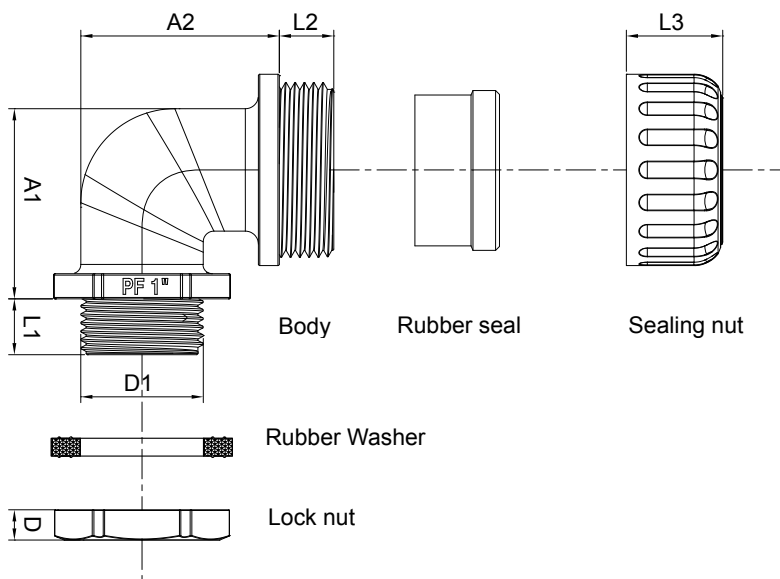
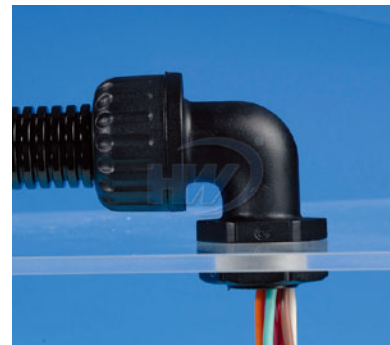



ANGLE TYPE CONDUIT ADAPTORS

- Insert conduit into claw and screw in the sealing nut for fastening. Insert the body into the board and fix with lock nut
- 90 degree design suitable for corner application
- Applied without tools make work more efficient
- Suitable for fixing wires of machines, mechanical control boards/ boxes and prevent from dust and water
- Material: Polyamide 6,6, UL94V-2. Washer: NBR
- Color: Black



Cable Protection
Conduits & Fittings

IP68 

Part No.	Thred (PF)	Suitable Conduits	D mm (inch)	D1 mm (inch)	L1 mm (inch)	A1 mm (inch)	A2 mm (inch)	L2 mm (inch)	L3 mm (inch)
FCL-07	1/4"	NFC-07	5.6 (0.22)	ø12.9 (0.51)	12.0 (0.47)	25.6 (1.01)	24.5 (0.96)	8.5 (0.33)	17.0 (0.67)
FCL-10	1/4"	NFC-10	5.6 (0.22)	ø12.9 (0.51)	12.1 (0.48)	27.9 (1.10)	26.9 (1.06)	9.0 (0.35)	17.3 (0.68)
FCL-12	3/8"	NFC-12	5.6 (0.22)	ø16.5 (0.65)	12.0 (0.47)	29.8 (1.17)	29.3 (1.15)	9.4 (0.37)	18.0 (0.71)
FCL-17	1/2"	NFC-17	6.4 (0.25)	ø20.7 (0.81)	12.0 (0.47)	37.1 (1.46)	34.2 (1.34)	11.5 (0.45)	18.6 (0.73)
FCL-23	3/4"	NFC-23	6.5 (0.26)	ø26.3 (1.04)	12.5 (0.49)	40.9 (1.61)	42.7 (1.68)	12.2 (0.48)	20.7 (0.82)
FCL-28	1"	NFC-28	7.5 (0.30)	ø33.2 (1.31)	15.3 (0.60)	49.7 (1.95)	51.5 (2.03)	12.4 (0.49)	20.9 (0.82)
FCL-36	1-1/4"	NFC-36	7.5 (0.30)	ø41.9 (1.65)	15.0 (0.59)	63.1 (2.48)	68.6 (2.70)	15.0 (0.59)	24.8 (0.98)
FCL-48	2"	NFC-48	8.5 (0.33)	ø59.5 (2.34)	20.0 (0.79)	87.0 (3.43)	89.0 (3.50)	14.5 (0.57)	27.8 (1.09)