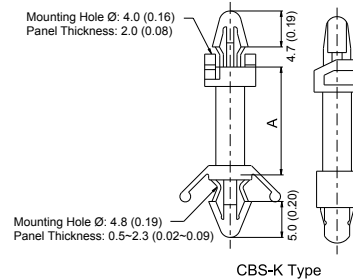
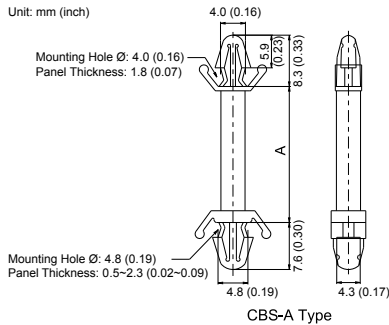


DUAL LOCKING PCB SUPPORTS

Fastening System
Fasteners

- CBS-A type:
 - Installed easily and quickly by hand
 - Barbed arrow mounts on both ends locking securely
 - This support can be shaped to lock in the board for PCB/PCB or PCB/ CHASSIS spacer
- CBS-K type:
 - None tool are required in installation
 - Reusable
 - Pinch head are easily plugged in and pulled out
- Material: Polyamide 6,6, UL94V-2
- Color: Natural



Part No.	Spacing Height (A) mm (inch)
CBS-5A	4.6±0.3 (0.18±0.01)
CBS-6A	6.2±0.3 (0.24±0.01)
CBS-9A	9.2±0.3 (0.36±0.01)
CBS-13A	12.6±0.3 (0.50±0.01)
CBS-16A	15.8±0.3 (0.62±0.01)
CBS-19A	19.1±0.3 (0.75±0.01)
CBS-22A	22.2±0.3 (0.87±0.01)
CBS-25A	25.3±0.3 (1.00±0.01)
CBS-29A	28.6±0.3 (1.13±0.01)
CBS-35A	33.3±0.3 (1.31±0.01)

Part No.	Spacing Height (A) mm (inch)
CBS-6K	6.3±0.3 (0.25±0.01)
CBS-8K	7.8±0.3 (0.31±0.01)
CBS-9K	9.3±0.3 (0.37±0.01)
CBS-12K	11.7±0.3 (0.46±0.01)
CBS-13K	12.6±0.3 (0.50±0.01)
CBS-16K	15.7±0.3 (0.62±0.01)
CBS-19K	19.1±0.3 (0.75±0.01)
CBS-22K	22.1±0.3 (0.87±0.01)
CBS-25K	25.1±0.3 (0.99±0.01)
CBS-29K	28.5±0.3 (1.12±0.01)
CBS-35K	35.0±0.3 (1.38±0.01)

DUAL LOCKING PCB SUPPORTS

- Mini size saves space
- Installed by hand with no screws
- After board have support installed, the PCB support hold them firmly in place
- Snap together to stack more boards in limited space
- Material: Polyamide 6,6, UL94V-2
- Color: Natural



Part No.	Spacing Height (A) mm (inch)	Spacing Height (B) mm (inch)
MCBS-7W	7.2±0.3 (0.28±0.01)	12.7±0.3 (0.50±0.01)
MCBS-9W	9.3±0.3 (0.37±0.01)	14.5±0.3 (0.57±0.01)
MCBS-11W	11.3±0.3 (0.45±0.01)	18.2±0.3 (0.72±0.01)
MCBS-13W	13.3±0.3 (0.52±0.01)	20.2±0.3 (0.80±0.01)
MCBS-13WN	13.3±0.3 (0.52±0.01)	20.2±0.3 (0.80±0.01)

