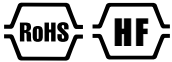
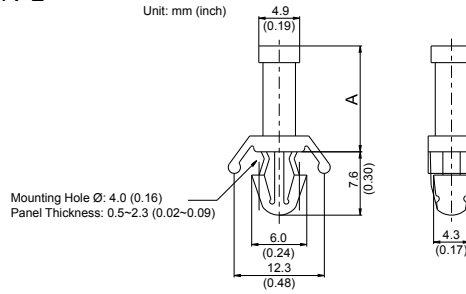


# REST MOUNT PCB SUPPORTS

- Support and stabilize printed circuit boards
- Material: Polyamide 6,6, UL94V-2
- Color: Natural



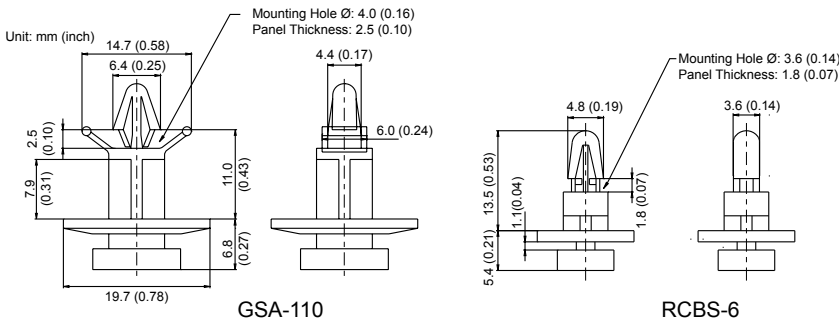
Part No.	Spacing Height (A) mm (inch)
CBS-5P	4.7±0.3 (0.19±0.01)
CBS-6P	6.3±0.3 (0.25±0.01)
CBS-9P	9.3±0.3 (0.37±0.01)
CBS-13P	12.6±0.3 (0.50±0.01)
CBS-16P	15.9±0.3 (0.63±0.01)

Part No.	Spacing Height (A) mm (inch)
CBS-19P	19.0±0.3 (0.75±0.01)
CBS-22P	22.2±0.3 (0.87±0.01)
CBS-25P	25.2±0.3 (0.99±0.01)
CBS-29P	28.6±0.3 (1.13±0.01)
CBS-35P	33.4±0.3 (1.32±0.01)

Fastening System Fasteners

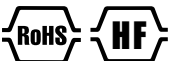
## PCB SUPPORTS

- Fix and separate printed circuit boards, easy to remove without tools
- Material: Polyamide 6,6, UL94V-2
- Color: Natural



## REVERSE LOCKING PCB SUPPORTS

- Hole or slots needed on board can support for heavily loaded printed circuit boards
- Minimum protrusion under chassis
- Material: Polyamide 6,6, UL94V-2
- Color: Natural



Part No.	A mm (inch)	$\varnothing$ B mm (inch)	C mm (inch)
CBS-6RS	5.8 (0.23)	$\varnothing$ 10.0 (0.39)	1.0 (0.04)
CBS-7RS	6.8 (0.27)	$\varnothing$ 10.0 (0.39)	1.0 (0.04)
CBS-8RS	8.0 (0.32)	$\varnothing$ 10.0 (0.39)	1.0 (0.04)
CBS-10RS	10.0 (0.39)	$\varnothing$ 10.0 (0.39)	1.0 (0.04)
CBS-12RS	12.0 (0.47)	$\varnothing$ 10.0 (0.39)	1.0 (0.04)
CBS-14RS	14.0 (0.55)	$\varnothing$ 10.0 (0.39)	1.0 (0.04)
CBS-16RS	16.0 (0.63)	$\varnothing$ 10.0 (0.39)	1.0 (0.04)
CBS-18RS	18.0 (0.71)	$\varnothing$ 10.0 (0.39)	1.0 (0.04)

