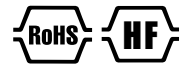
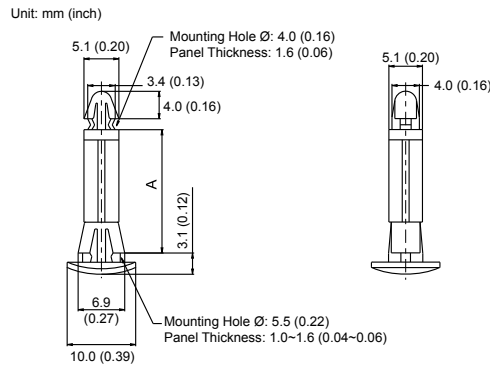


## REVERSE LOCKING PCB SUPPORTS

- Thin button head for minimum protrusion
- Sharp head can provide vibration and shake
- Insert the support through both holes from chassis underside
- Material: Polyamide 6,6, UL94V-2
- Color: Natural

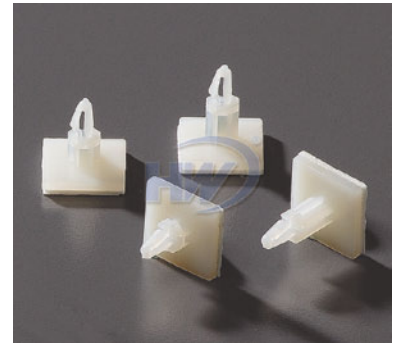
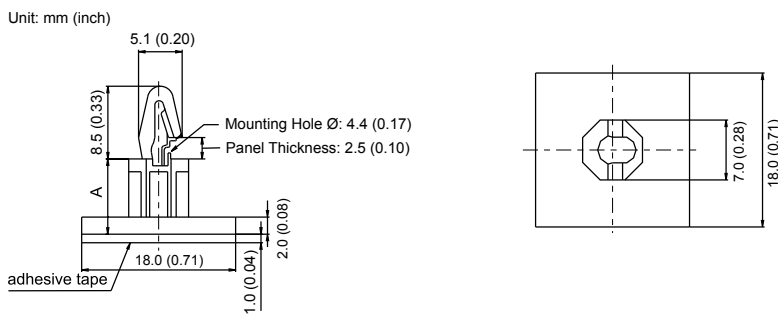


Part No.	Spacing Height (A) mm (inch)
CBS-6R	5.8±0.3 (0.23±0.01)
CBS-7R	6.8±0.3 (0.27±0.01)
CBS-8R	8.0±0.3 (0.32±0.01)
CBS-10R	10.0±0.3 (0.39±0.01)

Part No.	Spacing Height (A) mm (inch)
CBS-12R	12.0±0.3 (0.47±0.01)
CBS-14R	14.0±0.3 (0.55±0.01)
CBS-16R	16.0±0.3 (0.63±0.01)
CBS-18R	18.0±0.3 (0.71±0.01)

## SELF ADHESIVE PCB SUPPORTS

- Easy mounting with adhesive tape
- For PCB of 1.6mm (0.063 inch) thick as well as 2mm (0.079 inch) thick
- Mounting hole diameter:  $\varnothing 4 \pm 0.1$ mm (0.157 inch)
- Material: Polyamide 6,6, UL94V-2
- Color: Natural



Part No.	Spacing Height (A) mm (inch)
ACBS-6M	5.6±0.3 (0.22±0.01)
ACBS-9M	8.7±0.3 (0.34±0.01)
ACBS-12M	11.9±0.3 (0.47±0.01)